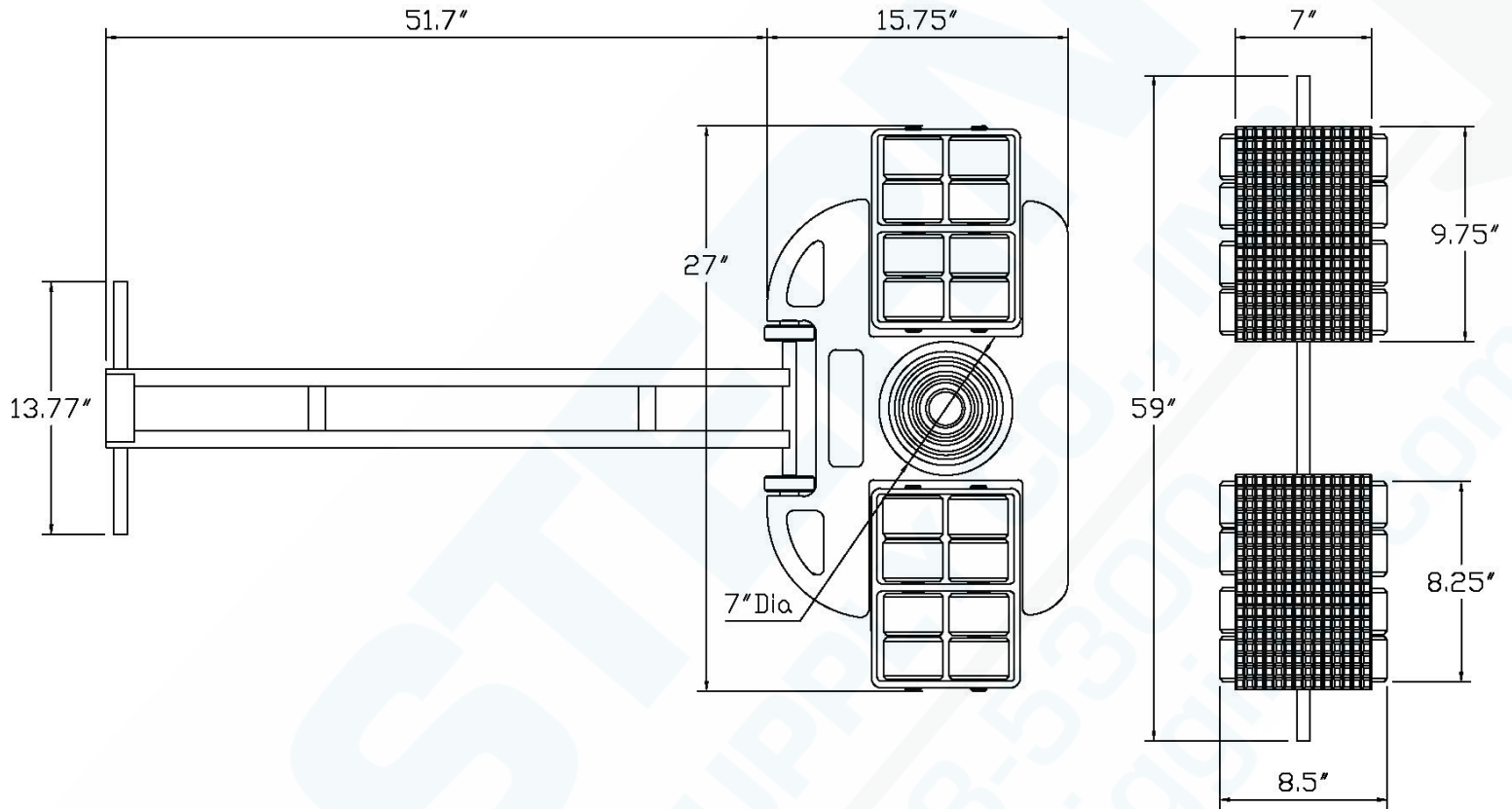


*With non-marking synthetic wheels
for the ultimate in floor protection*

MODEL ER28 28 Ton System Capacity



ER28 Specifications & Dimensions

STEERING DOLLY

Maximum Capacity (lbs)	28,000
Height (in)	3.87"
Swivel Diameter (in)	5.75"
Weight (assembled)	90 lbs

REAR DOLLIES

Maximum Capacity Ea. (lbs)	14,000
Height (in)	3.87"
Top Size (in)	9.5" x 7"
Weight (ea)	25 lbs

